



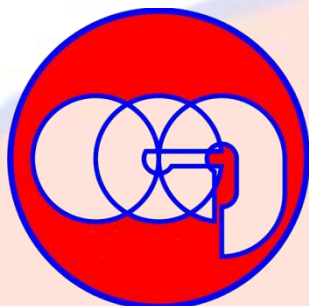
O.E.G. srl - COSTRUZIONI SPECIALI **OFFICINA ELETTROMECCANICA GOTTIFREDI**



Azienda certificata
ISO 9001:2000
CERT.N° 9190.OEG1



Via Pavia, 25
20053 Muggiò (MI) - ITALY
phone: (+39) 0392781425
(+39) 0392781229
fax: (+39) 0392781541
e-mail: info@oegsrl.it
web: www.oegsrl.it



DC spring pressure safety brakes PCC series



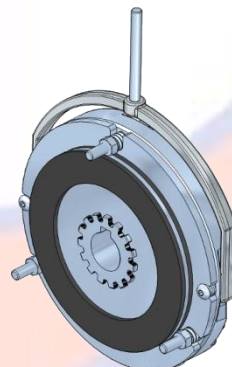
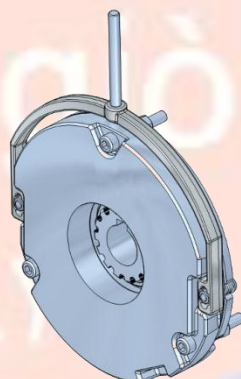
Wood working
Machine



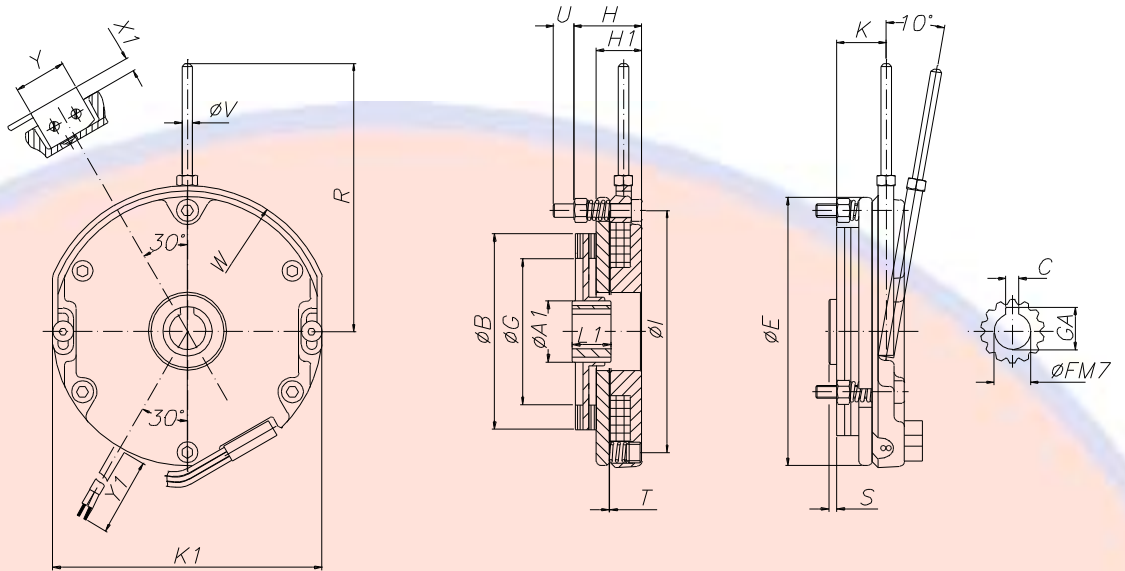
Transfer
Machine



Forklift



Muggiò
ITALY



SIZE	56	63/71	80/90	100/112	132/160
M_f[Nm]	3	7	15	25	55
ØFM7	11	12/14	18/20	18/24	24/28
ØI	62	93	116	139	178
ØE	73	103	126	154	200
H	33,7	26	28,2	32,2	40,8
P [W]	15	18	25	35	55

For detailed quote and technical data please write to info@oegsrl.it or visit

www.oegsrl.it

wood
working
machine

transfer
machine

forklift

reliable

fast

smooth
intervention

noiseless

safe

robust

...in any way
you want to
brake we can
find a solution
for your
application.

OEG DC Spring Pressure Safety brakes works when power off to assure the best brake solution for all applications.

Thanks to their small footprint, they can be fitted in standard IEC motor.

DC SPS brakes need electronic circuitry to run. OEG produces a complete choice of half and full wave rectifier.

ITALY

O.E.G. is a family company founded in Italy in 1959.

We designed the first brake based on an original idea, then develop and grow in all these year a great knowledge in spring pressure safety brakes, that allows us to target your needs with different brake series.

We never stop

Improving

products

Improving

quality

Improving

process

Improving

methods

Improving

supplier cluster

Taking the challenge of every new customer's design request

Braking torque from 3 Nm to 55 Nm.

Normal input voltage 103 V DC and 178 V DC from half-wave current rectifier.

All voltages from 12 V DC to 230 V DC available on request.

S1 Service, Class F insulation, Class B overtemperatures, watertight coil.

No axial load on the driving shaft.

Braking torque adjustable from 100% to 50%.

Asbestos-free noiseless friction packing.

Steel driving hub.

Brake disc with antivibration 'o' ring.

Hand release device available on request.

Minimum axial dimensions.

Muggiò
ITALY